

**Congratulations on the purchase of your Basic Pop-Up Display.**

## Owner's Manual

Includes:

- Parts List
- Assembly Instructions
- Disassembly Instructions
- Storage Instructions
- Care Instructions
- Warranty Information

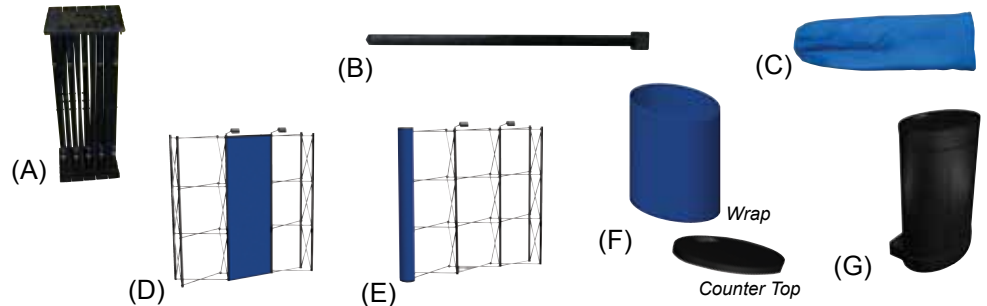
Please read all of the information carefully and contact your distributor or supplier with any questions.



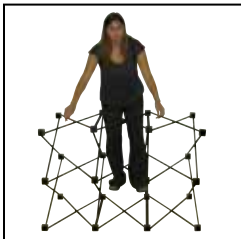
## Parts List

**Important:** Before you begin please count and inspect all pieces.

- 1- 9-quad curved frame (A)
- 18- Channel Bars (B)
- 1- Hardware Bag (C)
- 3- Fabric Center Panels (D)
- 2- Fabric End Panels (E)
- 1- Fabric Case-to-Counter Kit (F)
- 1- Oval Shipping Case w/wheels (G)

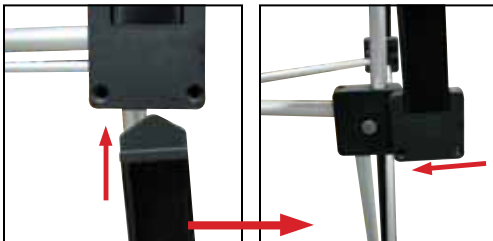


## Assembly Instructions



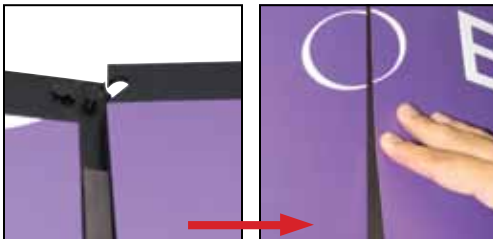
### Step 1

Remove frame (A) from case. Standing in front or behind expand the frame (A) by pulling up from the middle of the frame.



### Step 2

Beginning at the top, insert the triangular tip of the channel bar (B) into the base of the hub at the top of the frame (A). Secure the base of the channel bar (B) to the silver center pin on the lower hub, slide it from right to left. Apply to the front, and the two back corners.



### Step 3

Remove panels from protective sleeve. NOTE: Place sleeves in shipping case. They will be used for storage. Working left to right, hang the center panels (D) from the hanging pins at top, then attach them to the channel bars (B) by aligning the magnetic strips along the edges.



### Step 4

Hang the end panels (E). Curl them around the corners and attach them to the channel bars (B) in front and in back.

## Assembly Instructions (cont.)



### Step 5 (Case-to-Counter Kit)

Place the wrap part of the case-to-counter kit (F) around the oval shipping case (G). Place the oval counter top part of the case-to-counter kit (F) in the groove on top of the shipping case (G).

## Disassembly Instructions



### Step 1

Remove all panels and carefully roll them up **fabric side out** into clear protective sleeves.



### Step 2

Carefully place rolled panels in shipping case (G), **fabric side out**. Roll panels so they are along the perimeter of case.



### Step 3

Remove all channel bars (B) from frame (A) and place in hardware bag (C).



### Step 4

Fully retract frame (A) and place it, along with the hardware bag (C), in the open center area inside the shipping case (G).

## Storage Instructions



Store in shipping case (G), in a cool, dry place.

## Care Instructions

Spot clean with damp cloth.

## Warranty Information

All products are designed to provide the user with a cost-effective and durable product. Standard warranty is a 'one year parts and labor' warranty which warrants product against defects in material and workmanship. It does not cover damage due to accidents, abuse, or normal wear and tear. Products found to be defective will be replaced or repaired at factory's discretion. Limited lifetime warranty on frame and hardware.